

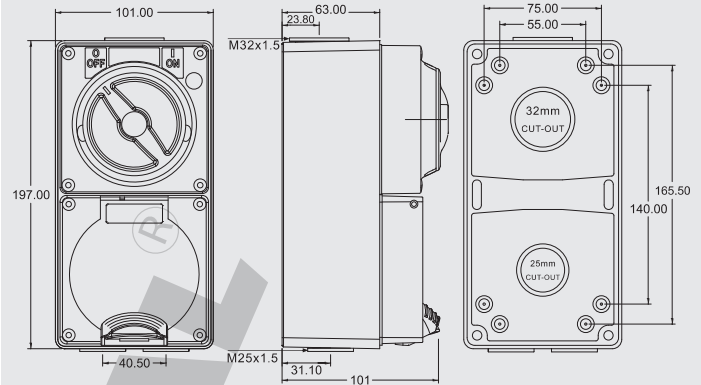


# Combination Switch Socket

Photo



Dimension


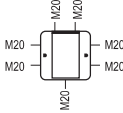
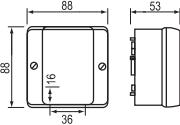

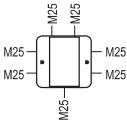
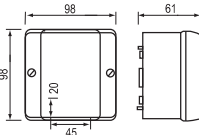

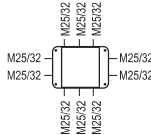
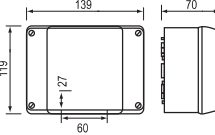

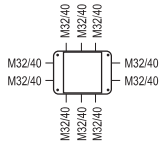
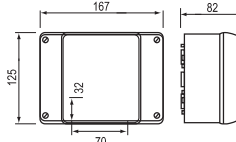



56CV310	56CV310W	56CV310F	56CV316F	56CV313*	56CV316**	56CV315
3P 10A 250V	2P/3P 10A 250V	2P/3P 10A 250V	2P/3P 16A 250V	3P 13A 250V	3P 16A 250V	3P 15A 250V
56CV320	56CV332	56CV410	56CV420	56CV432	56CV440	
3P 20A 250V	3P 32A 250V	4P 10A 500V	4P 20A 500V	4P 32A 500V	4P 40A 500V	
56CV450	56CV510	56CV520	56CV532	56CV540	56CV550	
4P 50A 500V	5P 10A 500V	5P 20A 500V	5P 32A 500V	5P 40A 500V	5P 50A 500V	

Parameter	(A) Current(A)		10		13	15	20			32			40		50	
	(P) Pole(P)		3	4	5	3	3	4	5	3	4	5	4	5	4	5
尺寸	a		76	76	76	76	76	76	76	76	76	76	76	76	76	76
Dimension(mm)	b		101	101	101	101	101	101	101	101	101	101	101	101	101	101
	c		197	197	197	197	197	197	197	197	197	197	197	197	197	197



## (IP55/IP66) Junction Box (IP55/IP66)

Model	Pipe connection (plug-in)	Wire access hole (Metric)	Dimension
	D 9020Z	4 ESM20 Applicable wire 6–13mm	
	D 9025Z	With terminal 2.5mm <sup>2</sup> ,20A,AC400V 3~ 4mm <sup>2</sup> ,25A, AC250V 1~	 
	D 9040Z	4 ESM25 Applicable wire $\phi$ 9–17mm	
	D 9045Z	带端子 With terminal 4mm <sup>2</sup> ,25A,AC400V 3~ 6mm <sup>2</sup> ,32A, AC250V 1~	 
	K 9060Z	3 ESM32 Applicable wire $\phi$ 9–23mm	
	K 9065Z	With terminal 6mm <sup>2</sup> ,32A,AC400V 3~ 10mm <sup>2</sup> ,50A,AC250V 1~	 
	K 9100Z	3 ESM32 Applicable wire $\phi$ 9–23mm	
	K 9105Z	With terminal 10mm <sup>2</sup> ,50A,AC400V 3~ 16mm <sup>2</sup> ,65A,AC250V 1~	 
	K 9250Z	3 ESM40 Applicable wire $\phi$ 17–30mm	
	K 9255Z	With terminal 25mm <sup>2</sup> ,85A,AC400V 3~ 35mm <sup>2</sup> ,100A,AC250V 1~	